

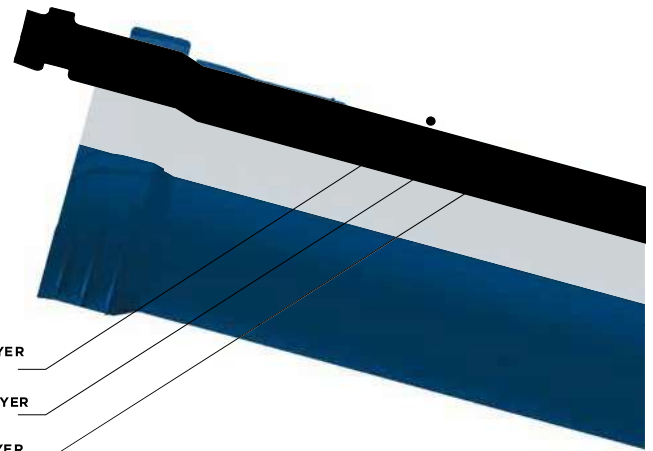
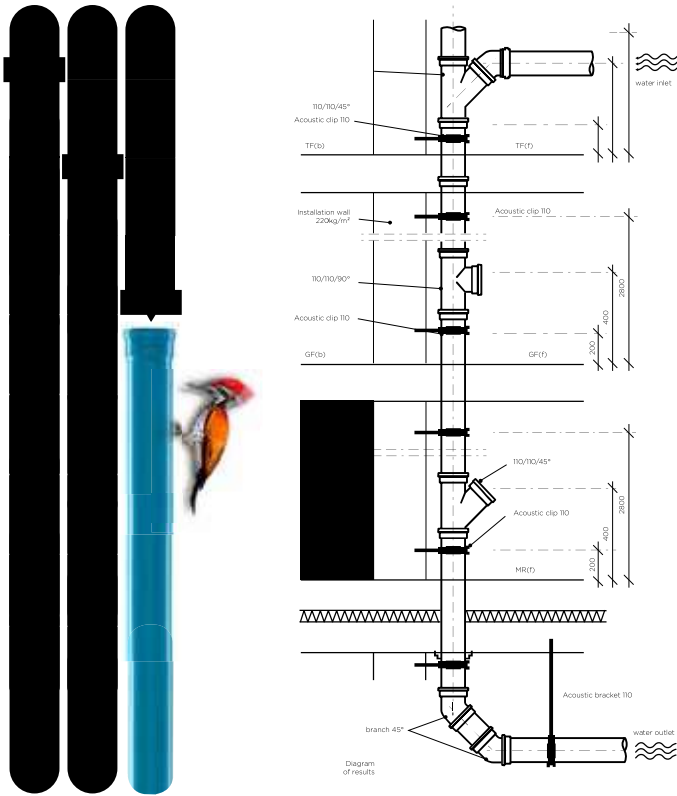
# TUBI E RACCORDI IN PP FONOASSORBENTI

**12DB/A**  
**Sound Insulation Level III**



# TUBI E RACCORDI IN PP FONOASSORBENTI 12DB/A SOUND INSULATION LEVEL III

Testing of S LINE piping system



OUTER LAYER  
MIDDLE LAYER  
INNER LAYER



**TUBI E RACCORDI IN PP FONOASSORBENTI  
12DB/A SOUND INSULATION LEVEL III**



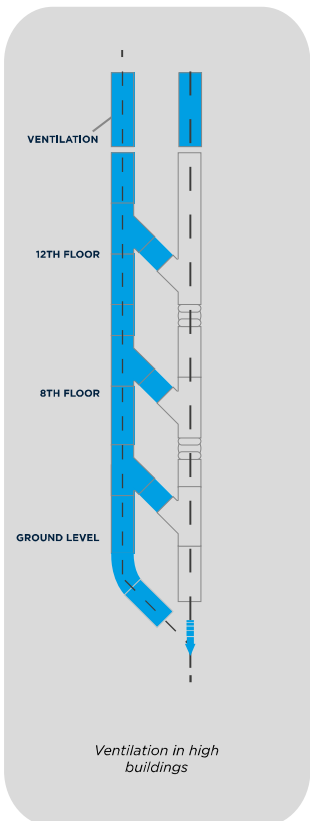
LEFT



FRONT



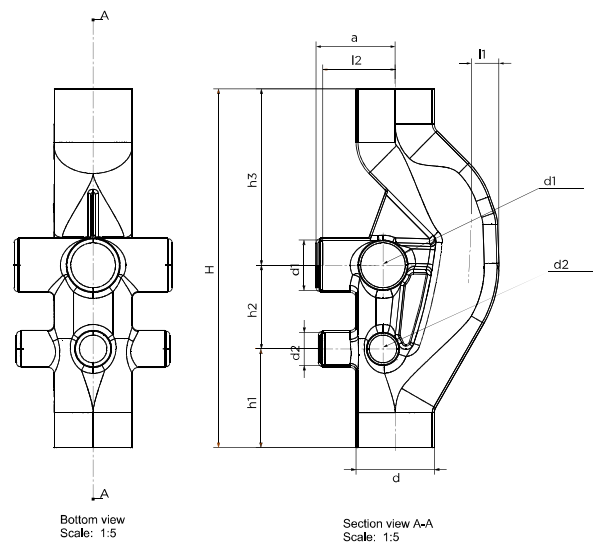
RIGHT



**VENTILATION BRANCH**

**PARALLEL VENTILATION**

During the construction of high buildings with traditional verticals the sudden change of pressure can happen in those verticals, that can lead to appearance of the subpressure that can pull the content out of the horizontal pipes attached to the vertical and that can lead to pipe cracking. Also great pressure can blow the content out of the pipes and because of those reasons during the construction the wider verticals are taken into account. Also parallel ventilation that is connected to vertical in regular spacings.



DN	d, Ø	d1 Ø	d2 Ø	a	b	h	h1	h2	l	l1	l2
	[mm]	[mm]	[mm]	[cm]	[cm]	[cm]	[cm]	[cm]	[cm]	[cm]	[cm]
160	160	110	75	13,39	9,5	19	17	35	13	8	11

## TUBI E RACCORDI IN PP FONOASSORBENTI 12DB/A SOUND INSULATION LEVEL III



### TUBO CON 1 BICCHIERE

### HTEM

lunghezza barra mm

			250	500	750	1000	1500	2000	3000
32	€	-	2,55	3,75	-	6,05	8,58	11,10	16,30
	imb.	-	20	20	-	320	320	320	320
40	€	-	2,65	2,65	-	6,45	9,10	11,70	17,25
	imb.	-	20	20	-	260	260	260	260
50	€	-	2,80	4,15	-	6,80	9,55	12,30	18,10
	imb.	-	20	20	-	200	200	200	200
75	€	-	5,20	6,90	-	10,20	14,40	18,40	26,60
	imb.	-	30	30	-	120	120	120	120
90	€	-	6,55	9,90	-	15,80	22,10	28,35	42,30
	imb.	-	24	24	-	80	80	80	80
110	€	-	7,30	11,00	-	17,50	24,60	31,50	47,00
	imb.	-	15	15	-	60	60	60	60
125	€	-	11,30	16,00	-	24,80	32,40	40,00	62,90
	imb.	-	11	11	-	48	48	48	48
160	€	-	19,80	26,00	-	40,90	54,65	68,40	100,25
	imb.	-	6	6	-	36	36	36	36



### TUBO CON 2 BICCHIERI

### HTDM

lunghezza barra mm

				500	750	1000	1500	2000	3000
32	€	-	-	5,15	-	7,45	9,95	12,50	17,70
	mb.	-	-	20	-	320	320	320	320
40	€	-	-	5,30	-	7,80	10,45	13,10	18,60
	imb.	-	-	25	-	260	260	260	260
50	€	-	-	5,50	-	8,15	11,00	13,70	19,50
	imb.	-	-	25	-	200	200	200	200
75	€	-	-	8,70	-	12,00	16,15	20,25	28,40
	imb.	-	-	10	-	120	120	120	120
90	€	-	-	11,60	-	17,00	24,20	31,50	45,95
	imb.	-	-	10	-	80	80	80	80
110	€	-	-	12,85	-	19,30	26,40	33,40	48,90
	imb.	-	-	10	-	60	60	60	60
125	€	-	-	19,20	-	28,00	35,60	43,30	66,10
	imb.	-	-	8	-	48	48	48	48
160	€	-	-	29,30	-	44,10	-----	71,60	103,50
	imb.	-	-	6	-	36	36	36	36

**TUBI E RACCORDI IN PP FONOASSORBENTI  
12DB/A SOUND INSULATION LEVEL III**

**CURVA 15°**
**HTB**

diametro	prezzo cadauno €	imballo
32	<b>1,61</b>	50/2400
40	<b>1,91</b>	36/1728
50	<b>2,22</b>	20/960
75	<b>4,64</b>	30/540
90	<b>5,96</b>	35/420
110	<b>7,00</b>	20/240
125	<b>15,40</b>	10/120
160	<b>27,80</b>	10/120


**CURVA 30°**
**HTB**

diametro	prezzo cadauno €	imballo
32	<b>1,64</b>	40/1920
40	<b>1,98</b>	36/1728
50	<b>2,33</b>	20/960
75	<b>4,98</b>	25/450
90	<b>6,40</b>	35/420
110	<b>7,40</b>	20/240
125	<b>16,30</b>	10/120
160	<b>29,70</b>	6/72


**CURVA 45°**
**HTB**

diametro	prezzo cadauno €	imballo
32	<b>1,58</b>	48/2304
40	<b>2,06</b>	36/1728
50	<b>2,38</b>	20/960
75	<b>5,10</b>	20/400
90	<b>6,70</b>	20/240
110	<b>7,88</b>	20/160
125	<b>18,55</b>	10/120
160	<b>33,90</b>	5/60


**CURVA 67°30'**
**HTB**

diametro	prezzo cadauno €	imballo
32	<b>1,58</b>	40/1920
40	<b>1,98</b>	40/960
50	<b>2,40</b>	30/720
75	<b>5,50</b>	30/360
90	<b>7,40</b>	20/240
110	<b>8,45</b>	20/160
125	<b>20,00</b>	10/80
160	<b>36,80</b>	5/60

## TUBI E RACCORDI IN PP FONOASSORBENTI 12DB/A SOUND INSULATION LEVEL III



### CURVA 87°30'

### HTB

diametro	prezzo cadauno €	imballo
32	1,70	48/2304
40	2,25	25/1200
50	2,60	20/960
75	5,90	20/400
90	7,80	24/288
110	9,35	20/160
125	21,60	10/80
160	39,85	5/40



### DERIVAZIONE 45°

### HTEA

diametro	prezzo cadauno €	imballo
32	2,40	20/960
40	2,40	20/480
50	3,15	20/480
75	7,40	20/240
90	11,20	14/112
110	14,80	10/80
125	26,70	5/60
160	64,60	4/32



### DERIVAZIONE 87°30'

### HTEA

diametro	prezzo cadauno €	imballo
32	2,10	20/960
40	2,04	20/480
50	2,80	52/624
75	6,00	20/240
90	9,10	20/160
110	11,40	10/80
125	21,10	6/72
160	48,90	4/32

**TUBI E RACCORDI IN PP FONOASSORBENTI  
12DB/A SOUND INSULATION LEVEL III**



**DERIVAZIONE RIDOTTA 45°**

**HTEA**

diametro	prezzo cadauno €	imballo
40/32	<b>3,00</b>	20/480
50/40	<b>2,80</b>	20/480
75/50	<b>5,95</b>	21/252
75/40	<b>4,65</b>	24/288
90/50	<b>7,35</b>	20/160
90/75	<b>9,00</b>	14/112
110/40	<b>7,85</b>	10/120
110/50	<b>8,60</b>	10/120
110/75	<b>10,90</b>	12/96
110/90	<b>11,85</b>	10/80
125/90	15,35	7/84
125/110	<b>22,75</b>	5/60
160/110	<b>42,40</b>	5/40
160/125	<b>49,30</b>	4/32



**HTEA DERIVAZIONE RIDOTTA 87°30' HTEA**

diametro	prezzo cadauno €	imballo
50/40	<b>2,40</b>	20/1120
75/50	<b>4,55</b>	25/600
75/40	4,10	40/320
90/50	6,45	20/240
90/75	7,40	20/160
110/40	<b>7,10</b>	20/160
110/50	<b>7,70</b>	20/160
110/75	<b>9,30</b>	10/120
110/90	<b>9,85</b>	12/120
125/90	15,90	7/84
125/110	<b>17,90</b>	9/144
160/110	<b>35,50</b>	5/40
160/125	<b>39,60</b>	5/40



**BRAGA DOPPIA RIDOTTA**

diametro	prezzo cadauno €	imballo
50/90/50	<b>12,95</b>	20/160
50/110/50	17,40	10/80

## TUBI E RACCORDI IN PP FONOASSORBENTI 12DB/A SOUND INSULATION LEVEL III



### ISPEZIONE CON TAPPO A VITE HTRE

diametro	prezzo cadauno €	imballo
50	<b>3,75</b>	52/624
75	<b>8,65</b>	20/240
90	<b>13,20</b>	20/160
110	<b>14,80</b>	12/96
125	<b>29,90</b>	8/96
160	56,15	5/40



### MANICOTTO SCORREVOLE O CON BATTENTE HTU

diametro	prezzo cadauno €	imballo
32	<b>1,35</b>	30/3570
40	<b>1,98</b>	30/1440
50	<b>2,50</b>	25/1200
75	<b>5,00</b>	20/480
90	<b>6,65</b>	20/360
110	<b>7,25</b>	20/240
125	<b>16,70</b>	20/160
160	28,20	12/96



### AUMENTO HTR

diametro $d1/d$	prezzo cadauno €	imballo
32/40	<b>1,15</b>	40/1920
40/50	<b>1,50</b>	20/1440
50/75	<b>2,65</b>	20/960
40/90	<b>3,60</b>	20/480
50/90	3,50	20/480
90/75	4,50	20/480
90/110	6,75	20/240
90/125	8,32	20/240
40/110	<b>5,05</b>	20/400
50/110	5,25	20/400
75/110	<b>6,05</b>	20/240
110/125	<b>10,10</b>	20/240
110/160	<b>17,00</b>	12/144
125/160	<b>17,00</b>	12/144



**TUBI E RACCORDI IN PP FONOASSORBENTI  
12DB/A SOUND INSULATION LEVEL III**



**BRAGA DI VENTILAZIONE DIAMETRO 160/110/75**

diametro	prezzo cadauno €	imballo
75	252,00	1
110	252,00	1
160	252,00	1



**POZZETTO PAVIMENTO DN 110 / DN75 / DN50**

diametro	prezzo cadauno €	imballo
110	37,80	1



**POZZETTO PAVIMENTO ALTO DN 110 / DN75 / DN50**

diametro	prezzo cadauno €	imballo
110	42,30	1



**CURVA VC CON APPOGGIO DN 110**

diametro	prezzo cadauno €	imballo
110	23,95	1